

With digital display, 2-colour.

Electronic pressure switch with digital display in stable plastic housing for monitoring and measuring pressures in dry, oil-free compressed air and non-toxic, non-aggressive gasses.

Areas of application: Pneumatics, machine tools, compressors, automation technology and in general machine construction.

Output signal: 2 x digital NPN or PNP, 1 x analogue 1 – 5 V or 4 - 20 mA

Selectable units: MPa, kgf/cm<sup>2</sup>, bar, psi

Hysteresis adjustable. Menu guided setting using three large buttons and easy to read 2-colour digital LCD display. Installation location selectable.

Electrical connection	2 m cable, open cable ends
Ambient temperature	-10 °C to 60 °C
Medium temperature	0 °C to 50 °C
Measuring range	0 - 10 bar
Power supply	12 - 24 V DC ± 10 %
Housing	Plastic
Wetted parts	MSV
Process connection	G 1/8
Accuracy	±2 % F.S. ± 1 digit
Protection IP	IP 40 / IP 65 (with hose)



EDS010PNP15G

### Electronic pressure switch with digital display

Art. No.	Type No.	Output signal
133157	EDS010NPN15G	2 x NPN outputs + 1 x analog output 1 - 5 V
133158	EDS010NPN420G	2 x NPN outputs + 1 x analog output 4 - 20 mA
133159	EDS010PNP15G	2 x PNP outputs + 1 x analog output 1 - 5 V
133160	EDS010PNP420G	2 x PNP outputs + 1 x analog output 4 - 20 mA

### Accessoires for electronic pressure switch with digital display

Art. No.	Type No.	Description
133153	EDS010-BFWW	Metal mounting bracket, horizontal
133154	EDS010-BFWS	Metal mounting bracket, vertical
133155	EDS010-EBR	Plastic installation frame
133156	EDS010-EBRSA	Installation frame with plastic protective cover



EDS010-BFWW



EDS010-BFWS



EDS010-EBR



EDS010-EBRSA

### Department eDocumentation

Phone +49 7125 9497-41, -42, -53, -260, -330

Fax +49 7125 9497-99

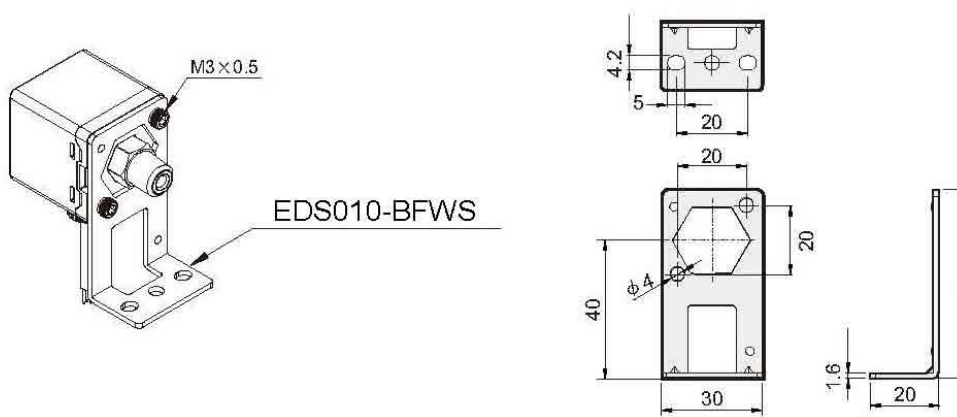
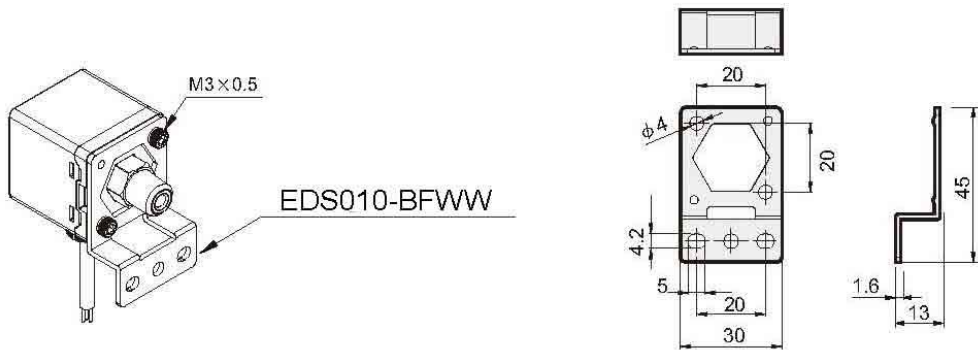
e-mail: [eDocumentation@riegler.de](mailto:eDocumentation@riegler.de)

edition 02/2024

**RIEGLER & Co. KG**

[www.riegler.net](http://www.riegler.net) Subject to technical changes and errors reserved. The

proficiency testing is the responsibility of the user. The specified data do not represent legally guaranteed properties



### Installation frame with plastic protective cover

